

# Tapered Osteotomes

The Tapered Osteotomes are available in both straight and angled designs. There are four straight and four angled Tapered Osteotome sizes available. The sizes correspond with the diameters of ZimVie Dental Tapered Implants (3.25 mm, 4.0 mm, 5.0 mm, and 6.0 mm diameters).

The depth markings are machine etched into the matte finished tip surface. This enhances depth line visibility, makes the depth line permanent, and reduces the possibility of corrosion on the operating tip.

## Angled Design

*Note: Angled design has a 30° offset*



## Straight Design

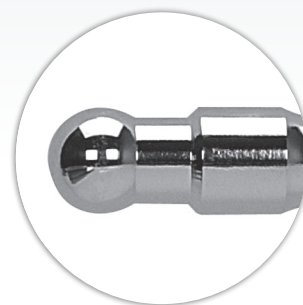


## Ordering Information

### Straight and Angled Osteotomes

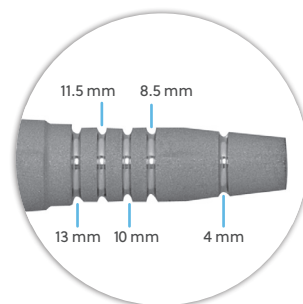
Description	Item No.
Straight Tapered 3.25 mm	NTOST3
Straight Tapered 4.0 mm	NTOST4
Straight Tapered 5.0 mm	NTOST5
Straight Tapered 6.0 mm	NTOST6
Angled Tapered 3.25 mm	NTOST3A
Angled Tapered 4.0 mm	NTOST4A
Angled Tapered 5.0 mm	NTOST5A
Angled Tapered 6.0 mm	NTOST6A
Straight Tapered Kit <i>(Includes all four sizes and sterilization case)</i>	NTOST0
Angled Tapered Kit <i>(Includes all four sizes and sterilization case)</i>	NTOST0A

Standard osteotome procedures are to be followed when using the tapered osteotomes.



## Striking End of the Osteotome

The ball at the striking end of the Osteotome is for forging of off-angled mallet strikes, delivering force in a linear vector to the operating end.



## Operating End of the Osteotome

The depth lines are aligned to indicate crestal placement of the Certain® and Ex-Hex Tapered Implants.

For more information, visit [ZimVie.com](http://ZimVie.com)

**ZimVie**  
4555 Riverside Drive  
Palm Beach Gardens, FL 33410  
1-800-342-5454  
Phone: +1-561-776-6700  
Fax: +1-561-776-1272

**ZimVie**  
Restoring Daily Life.®

Unless otherwise indicated, as referenced herein, all trademarks and intellectual property rights are the property of ZimVie Inc. or an affiliate; and all products are manufactured by one or more of the dental subsidiaries of ZimVie Inc. (Biomet 3i, LLC, Zimmer Dental, Inc., etc.) and marketed and distributed by ZimVie Dental and its authorized marketing partners. For additional product information, please refer to the individual product labeling or instructions for use. Product clearance and availability may be limited to certain countries/regions. This material is intended for clinicians only and does not comprise medical advice or recommendations. Distribution to any other recipient is prohibited. This material may not be copied or reprinted without the express written consent of ZimVie. ZV1676 REV A 10/23 ©2023 ZimVie Inc. All rights reserved.

CE  
2797

