

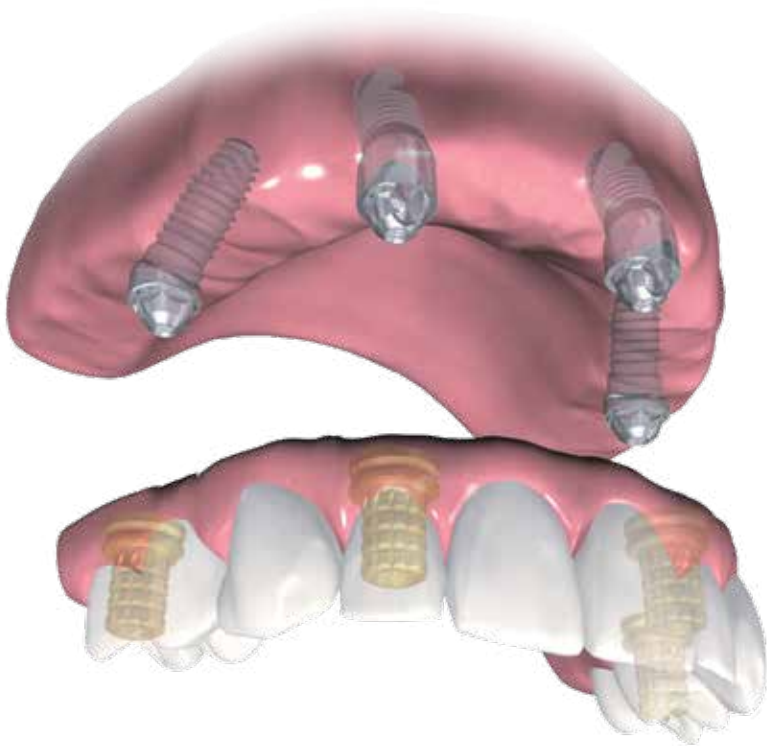


Product  
Brochure



# DIEM<sup>®</sup> 2

## Immediate Full-Arch Rehabilitation



 **ZimVie**

ZimVie DENTAL SOLUTIONS

## Step-by-step guidelines serve as a roadmap for treatment

The aim is that patients return home on the same day of surgery with a fixed provisional prosthesis that looks aesthetically pleasing and functions immediately.\*

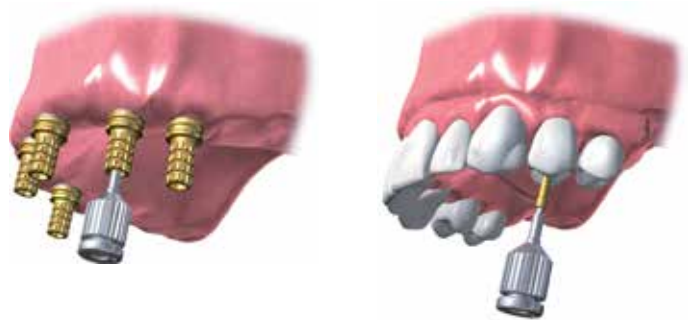
### Benefits for patients

- Eliminates the need for loose or painful dentures by providing patients with a fixed provisional prosthesis for increased satisfaction
- Reduces the number of procedures and follow-up visits as compared to single-implant therapy



### Benefits for clinicians

- Decreases surgical morbidity
- Allows for implant dentistry access to a large edentulous or partially edentulous patient population
- Offers an additional innovative procedure for the dental practice
- Designed to increase implant treatment acceptance due to a single day procedure



Immediate provisional restoration on **four** or **more** implants.

Please refer to the DIEM 2 Guidelines (ZVINST0173) for step-by-step instructions.

\* Not all patients are candidates for immediate load procedures.

# DIEM 2 full-arch rehabilitation solution

## Immediate full-arch rehabilitation\*

The DIEM 2 Protocol is designed to help provide long-lasting aesthetic results through comprehensive dental implant therapy for edentulous patients, partially edentulous patients, and those with failing dentition.

Edentulism and failing dentition continue to be major health challenges affecting millions of people worldwide.

Many patients seek full-arch rehabilitation to quickly regain their confidence and quality of life. You can help these patients by offering them DIEM 2, the ZimVie Dental solution for immediate full-arch restoration for [one](#) or [both](#) arches.



Clinical photograph showing hopeless dentition in both jaws due to advanced, generalized periodontitis.\*\*

## The innovative system solution

The DIEM 2 Solution allows for same-day treatment utilizing surgical and prosthetic flexibility with the following components:

- Tapered Implants
- Low Profile Abutments with Prosthetic Components
- Zfx Bars and Frameworks



\* Not all patients are candidates for immediate load procedures.

\*\* Clinical photograph courtesy of Dr. Gary A. Morris, DDS†.

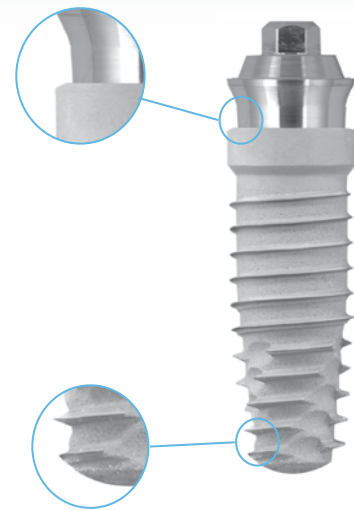
† Dr. Morris has or had a financial relationship with ZimVie Dental resulting from speaking engagements, consulting engagements and other retained services.

# Innovative products that support treatment from beginning to end

ZimVie Dental offers a wide array of versatile surgical and prosthetic components designed to manage each patient's unique clinical needs.

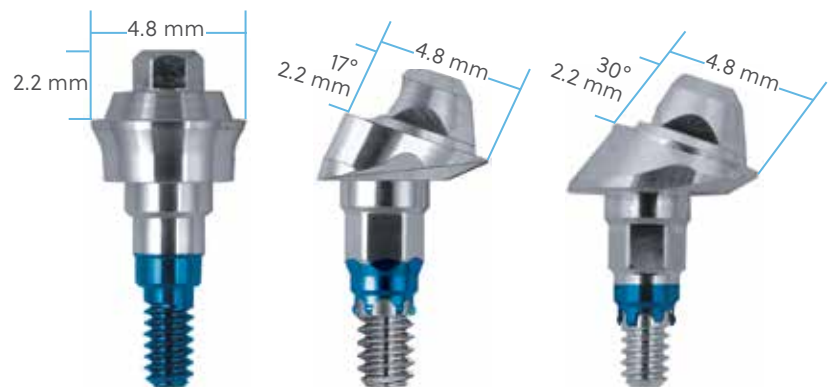
## Tapered implants

- **Integrated platform switching** medializes the implant/abutment junction (IAJ) inward, creating a biologic width between connective tissue and the IAJ<sup>1</sup> - helping to maintain bone levels<sup>1</sup>
- **Primary stability** is achieved with the implant's uniform thread design to the apex and an intimate fit within the bone to support initial bone-to-implant contact along the full length of the implant



## Low profile abutments

- **Low 2.2 mm restorative height** for functional aesthetic restorations in limited interarch spaces
- **Straight and angled options** of 17 and 30 degrees; aiming to be ideal for cases where a sinus lift might be avoided
- **Consistent 4.8 mm restorative platform** throughout the abutment line for fewer parts and pieces
- **Contoured profile** provides easy placement in subcrestal and flapless surgeries

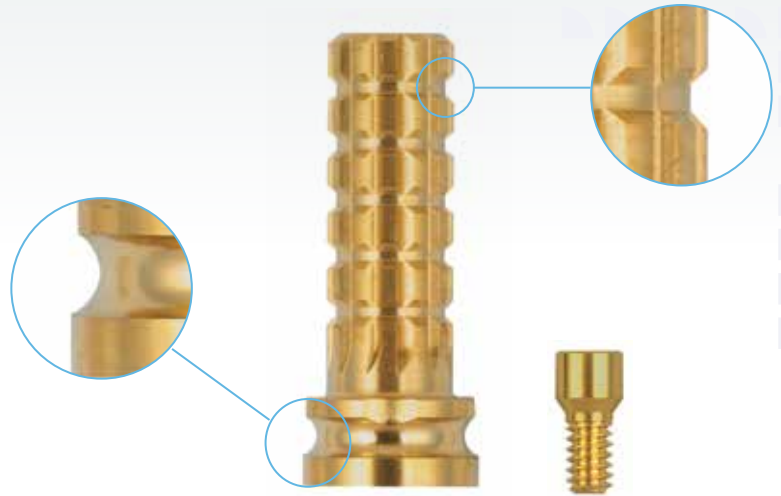


<sup>1</sup> Lazzara R<sup>†</sup>, Porter SS. Platform switching: A new concept in implant dentistry for controlling post-restorative crestal bone levels. Int J Perio Rest Dent. 2006;26:9-17.

<sup>†</sup> Dr. Lazzara has or had a financial relationship with ZimVie Dental resulting from speaking engagements, consulting engagements and other retained services.

## Low Profile abutment prosthetic components

- **Good aesthetics** are achieved with the gold hue of the Temporary Cylinder through the acrylic resin
- **Ease of use** is provided by machined concavities at the apex of the cylinders to retain the rubber dam
- **Clear visual markers** are provided by the machined grooves along the length of the cylinder when measuring and reducing their height
- **Greater clamping force** with Gold-Tite® Screw technology (Certain® connection) as compared to a titanium alloy screw<sup>2,\*</sup>



A wide variety of CAD/CAM bar designs for a strong, precise, and aesthetic definitive fixed prosthesis.

## CAD/CAM Bars and Frameworks

- A truly passive fit
- CAD/CAM precision
- No soldering or welding
- No waxing and casting
- Biocompatible alloy



2 Suttin Z†, Towse R†. Effect of abutment screw design on implant system seal performance. Presented at the European Association for Osseointegration, 20th Annual Scientific Meeting; October 2012; Copenhagen, Denmark. [http://biomet3i.com/Pdf/Posters/P-450\\_Effect\\_of\\_Screw\\_Design\\_on\\_Implant\\_Seal.pdf](http://biomet3i.com/Pdf/Posters/P-450_Effect_of_Screw_Design_on_Implant_Seal.pdf)

† Mr. Suttin and Mr. Towse contributed to the above research while employed by ZimVie Dental.

\* Pre-clinical studies are not necessarily indicative of clinical results.

# Ordering information

## Low Profile Abutments



| 3.4 mm        | Seating Surface       |         |                   |        |             |          |             |          |
|---------------|-----------------------|---------|-------------------|--------|-------------|----------|-------------|----------|
| Collar Height | One Piece (Non-Hexed) |         | Two Piece (Hexed) |        | 17° (Hexed) |          | 30° (Hexed) |          |
| 1.0 mm        | ILPC341U              | LPC341U | ILPC341           | LPC341 | –           | –        | –           | –        |
| 2.0 mm        | ILPC342U              | LPC342U | ILPC342           | LPC342 | ILPAC3217   | LPAC3217 | –           | –        |
| 3.0 mm        | ILPC343U              | LPC343U | ILPC343           | LPC343 | –           | –        | ILPAC3330   | LPAC3330 |
| 4.0 mm        | ILPC344U              | LPC344U | ILPC344           | LPC344 | ILPAC3417   | LPAC3417 | –           | –        |
| 5.0 mm        | –                     | –       | –                 | –      | –           | –        | ILPAC3530   | LPAC3530 |

| 4.1 mm        | Seating Surface       |         |                   |        |             |          |             |          |
|---------------|-----------------------|---------|-------------------|--------|-------------|----------|-------------|----------|
| Collar Height | One Piece (Non-Hexed) |         | Two Piece (Hexed) |        | 17° (Hexed) |          | 30° (Hexed) |          |
| 1.0 mm        | ILPC441U              | LPC441U | ILPC441           | LPC441 | –           | –        | –           | –        |
| 2.0 mm        | ILPC442U              | LPC442U | ILPC442           | LPC442 | ILPAC4217   | LPAC4217 | –           | –        |
| 3.0 mm        | ILPC443U              | LPC443U | ILPC443           | LPC443 | –           | –        | ILPAC4330   | LPAC4330 |
| 4.0 mm        | ILPC444U              | LPC444U | ILPC444           | LPC444 | ILPAC4417   | LPAC4417 | –           | –        |
| 5.0 mm        | –                     | –       | –                 | –      | –           | –        | ILPAC4530   | LPAC4530 |

| 5.0 mm        | Seating Surface       |         |                   |        |             |          |             |          |
|---------------|-----------------------|---------|-------------------|--------|-------------|----------|-------------|----------|
| Collar Height | One Piece (Non-Hexed) |         | Two Piece (Hexed) |        | 17° (Hexed) |          | 30° (Hexed) |          |
| 1.0 mm        | ILPC541U              | LPC541U | ILPC541           | LPC541 | –           | –        | –           | –        |
| 2.0 mm        | ILPC542U              | LPC542U | ILPC542           | LPC542 | ILPAC5217   | LPAC5217 | –           | –        |
| 3.0 mm        | ILPC543U              | LPC543U | ILPC543           | LPC543 | –           | –        | ILPAC5330   | LPAC5330 |
| 4.0 mm        | ILPC544U              | LPC544U | ILPC544           | LPC544 | ILPAC5417   | LPAC5417 | –           | –        |
| 5.0 mm        | –                     | –       | –                 | –      | –           | –        | ILPAC5530   | LPAC5530 |

= Certain® Internal Connection = External Hex Connection

## Abutment Compatibility

| Component | Hexed Abutment | Non-Hexed Abutment |
|-----------|----------------|--------------------|
| Hexed     | Yes            | No                 |
| Non-Hexed | Yes            | Yes                |

## Low Profile Screws



| Description                | Item No. |
|----------------------------|----------|
| Gold-Tite® Retaining Screw | LPCGSH   |
| Titanium Retaining Screw   | LPCTSH   |
| Waxing Screw               | LPCWS    |

## Low Profile Laboratory Tools



| Description         | Item No. |
|---------------------|----------|
| Lapping Tool        | LPCAMI   |
| Polishing Protector | LPCPP    |

## Low Profile Abutment Bone Profilers



| Description                                 | Item No. |
|---|----------|
| Low Profile Abutment Bone Profiler, 3.4 mmD | LPCBP3   |
| Low Profile Abutment Bone Profiler, 4.1 mmD | LPCBP4   |
| Low Profile Abutment Bone Profiler, 5.0 mmD | LPCBP5   |

## Low Profile Impression Copings & Analog



| Description                           | Item No. |
|---------------------------------------|----------|
| Pick Up Impression Coping (Hexed)     | LPCPIC1  |
| Pick Up Impression Coping (Non-Hexed) | LPCPIC2  |
| Twist Lock™ Impression Coping (Hexed) | LPCTIC1  |
| Twist Lock (Non-Hexed)                | LPCTIC2  |
| QuickBridge® Impression Coping        | LPCRIC   |
| Lab Analog                            | LPCLA    |

## Low Profile Provisional Restoration Components



| Description                                   | Item No. |
|---|----------|
| Temporary Cylinder (Hexed)                    | LPCTC1   |
| Temporary Cylinder (Non-Hexed)                | LPCTC2   |
| Healing Cap                                   | LPCHC    |
| PrePerformance® Temporary Cylinder (Hexed)    | LPCPTC1  |
| PrePerformance Temporary Cylinder (Non-Hexed) | LPCPTC2  |
| QuickBridge                                   | LPCQB    |
| QuickBridge Replacement Cap                   | LPCQBCAP |
| Distal Extension                              | LPCDE    |

## Low Profile Final Restoration Components



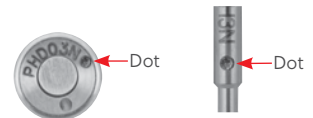
| Description                   | Item No. |
|-------------------------------|----------|
| Gold Cylinder (Hexed)         | LPCGC1   |
| Gold Cylinder (Non-Hexed)     | LPCGC2   |
| Castable Cylinder (Hexed)     | LPCCC1   |
| Castable Cylinder (Non-Hexed) | LPCCC2   |
| Laser Welded Cylinder         | LPCTUCA  |

## Large Hex Driver and Driver Tip



| Description                           | Item No.        |
|---------------------------------------|-----------------|
| Large Hexed Driver                    | PHD02N, PHD03N* |
| Large Hexed Driver Tip                | RASH3N, RASH8N* |
| Right Angle Abutment Driver Tip Steel | RASA3           |
| Posterior Abutment Driver 17 mmL      | PAD00           |
| Standard Abutment Driver 24 mmL       | PAD24           |

\* Made narrower to fit with external hexed angled Low Profile Abutments. The Driver and Driver Tips can be identified by a laser marked dot after the item number as pictured below.



For more information, visit [ZimVie.com](http://ZimVie.com)

ZimVie Dental  
4555 Riverside Drive  
Palm Beach Gardens, FL 33410  
1-561-776-6700

**ZimVie**  
Restoring Daily Life.®

